

2-way Coaxial Ceiling Speaker FYC-520C FYC-630C FYC-840C



🔊 Descriptions & Features

The 2-way Coaxial ceiling Speaker Series provide premium performance in background, foreground and music-plus-paging sound system.

This speaker is ideally suited for installation in areas for the sound reproduction of reading announcements, declaring states of emergency, and playing background music such as conference rooms, coffee shops, restaurants, airports, hotels, home theaters etc.

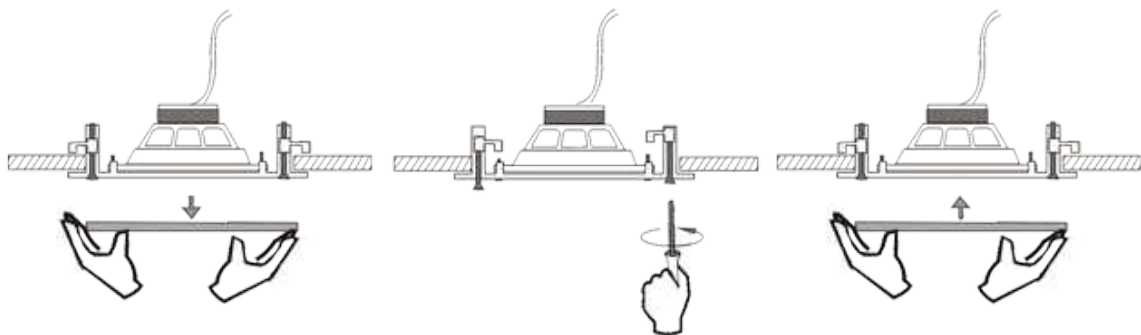
- ※ Coaxial ceiling speaker system.
- ※ Three sizes available:
PP cone woofer, dome tweeter
5"×1+1"×1; 6"×1+1"×1; 8"×1+1"×1
- ※ ABS baffle, metal grille.
- ※ Flush-mount dog ears installation
- ※ Built-in 100V transformer (This technique of line input 100V reduces signal losses on a longer distance and allows easy parallel connection of multiple loudspeakers. Also 8 Ohm input is available without transformer.)

🔊 Specifications

Model	FYC-520C	FYC-630C	FYC-840C
Power Tappings	10W/20W	15W/30W	20W/40W
Input Voltage	70V/100V	70V/100V	70V/100V
Frequency Response	100Hz-20KHz	90Hz-20KHz	60Hz-20KHz
Sensitivity(1w,1n)	88±3 dB	90±3 dB	93±3 dB
Hole for mounting	Φ170mm	Φ200mm	Φ240mm
Dimension	Φ203*80mm	Φ230*90mm	Φ270*105mm
Finished	White	White	White
Material	ABS enclosure & metal grille		
Speaker Unit	5"*1+1"*1	6"*1+1"*1	8"*1+1"*1
Net Weight	1.3kg	1.6kg	2.1kg

Specifications are typical; individual units might vary.
Specifications are subject to change and improvement without notice.

🔊 Installation Method



Once the hole is cut, remove the protective metal grille and insert the speaker in the hole. And make sure the fastening hooks are unscrewed.

Tighten the fastening screws in a clockwise direction until the speaker is locked.

Insert the protective grille.